



# SUMMARY

## **Greenor® XL**

English

Don't hesitate to contact us  
for technical information about  
CINIER radiator installations:

By phone: **+33 4 67 18 19 53**  
By email: **info@cinier.com**

## Summary – **Greenor<sup>®</sup>XL** **Two pipes** (or four-pipe option)

- **French patent supported by BPI Innovation, created by Michel Cinier**
- **Ecological and antiviral vertical air conditioning unit – 2 pipes for heating or cooling (fan coil) with very high energy efficiency** and 100 % copper heat exchanger. Decorative front in hand-finished Olycale stone.

### Strengths

- Heating or cooling (air conditioning) with an air-water heat pump (chilled water technology)
- Patented **vertical** heat exchanger – **antibacterial, antiviral and 100 % copper (anti-legionella)**
- **2 x high performance magnetic stainless steel filters (easy maintenance)**
- **OPTION: LEV UVA + photocatalytic sterilisation (TiO<sub>2</sub> on stainless steel filter): to purify the air even during a pandemic (destroys bacteria and viruses in under 2 hours)**
- Copper-coated condensate drip tray (**anti-legionella**)
- **Ultra-quiet** – 14.8 dB on speed 1 at a distance of 1 metre
- **Very low power consumption:** 9 to 19 W on speed 3, or 14 W/h average
- **No draughts** (thanks to single side 190 cm VERTICAL diffusion at very low air flow rates, less than 1 m/s)
- **Ultra-flat:** 14.5 cm overall thickness
- **Very aesthetically pleasing**, customisable, vertical design (each is unique)
- **Individually controllable** using the thermostat built into the appliance – WiFi connection via Tuya Smart (for appliance control via tablet or smartphone) – also available with wired or other thermostats on request
- **Made in France in the CINIER Ateliers** for reduced carbon footprint, using **materials of only the highest quality**

### Important note for the design department

Air is diffused on only one vertical side of the appliance – maintain a minimum clearance of 1 metre from the wall. Please therefore choose either the RIGHT or LEFT model depending on the configuration of the rooms.

### Maintenance: cleanable magnetised stainless steel filter

Every month: with a vacuum cleaner

Every 6 months: cleaning recommended with pressurised water (tap)

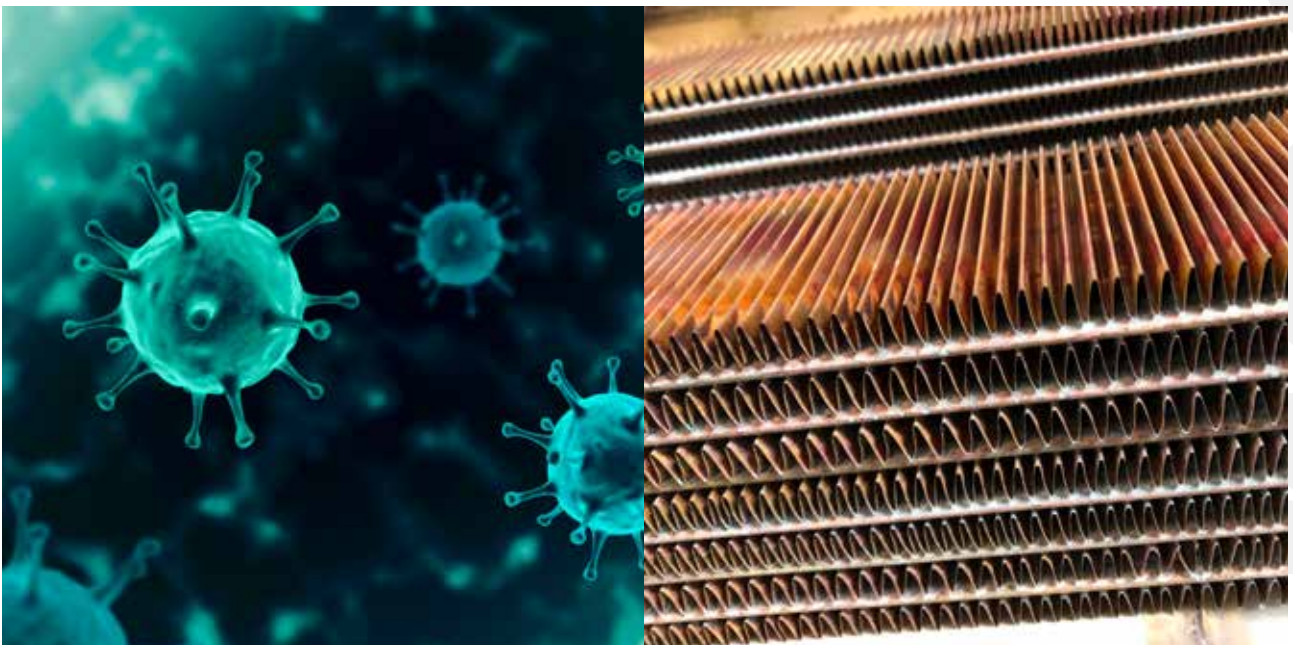
No need to change the recommended filters as they are STAINLESS STEEL

# Greenor<sup>®</sup>XL

## Photo documentation



**Diffusion of conditioned air at the front and to one vertical side (190 cm):**  
RIGHT or LEFT to be stated when ordering.



**Unique, patented innovation: antibacterial, antiviral, 100 % copper vertical heat exchanger (see study\* of effects of copper on viruses, including COVID-19).** (\*) *Aerosol and surface stability of HCoV-19 (SARS-CoV-2) compared to SARS-CoV-1* Neeltje van Doremalen, James O. Lloyd-Smith, Vincent J. Munster / *New England Journal of Medicine* – March 2020

# Greenor<sup>®</sup>XL

## Photo documentation



**Magnetised stainless steel filter  
very easy to clean**

**with UV LED filtration/sterilisation option  
for healthy, purified air quality.**

Individual thermostat supplied as standard on each appliance (discreetly positioned on the side at chest height).

**No light pollution**  
(switches off **completely** after 3 sec)

WiFi connected as standard for remote control via tablet or smartphone (Tuya Smart)

**Option**  
Identical wall thermostat as master/slave to control multiple Greenors all from one thermostat.



# Greenor<sup>®</sup>XL

## Photo documentation

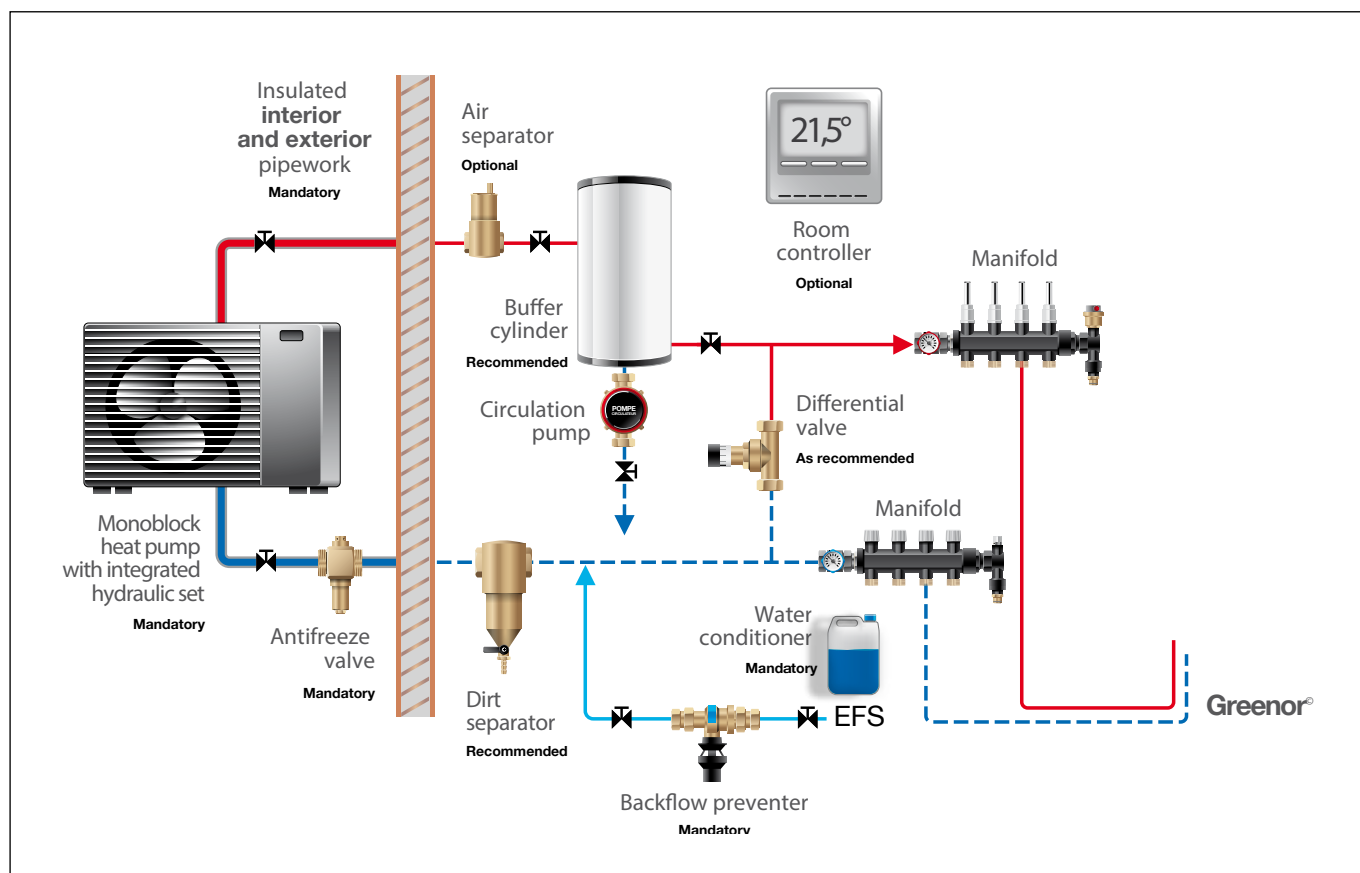
®



CINIER high-end design and finish,  
with real added value for any interior:  
from the UNIS model to the PIÈCE UNIQUE collection.

# Greenor<sup>®</sup>XL

## Example of an installation diagram



## Table of outputs

7/12° – 70/60°

Speed	Power consumption (W)	Heating output (kW)	Cooling output (kW)	Sound pressure (dB) – 1 metre
Speed 1	7	3.01	1.6	14.8
Speed 2	11	4.68	2.32	25.6
Speed 3	17	6.00	3.00	35.7

Required water flow rate: 550 litres/min



## Examples of our **clients**

Cogemad, Paris  
Interior architect Wilmotte, Paris  
Affine design, Paris  
Hotel Four Seasons, Megève  
Hotel Hoxton, Paris  
Hotel de Crillon, Paris  
Hotel Hilton, Boston, USA  
Hotel The Snop House, Senglea, Malta  
Hotel Marriott, Setif  
Hotel CAPDEV, Corsica  
Restaurant Le Notre Dame, Rungis  
Château Louis XIV, Louveciennes  
Château Ripeau, Saint-Emilion  
Château de Buzignargues  
Private château, Ennery  
Presidential palace, Bazu, Azerbaijan  
Crudeli, Monaco  
Private villas, Monaco  
Royal Palace of Morocco  
Stanford University / Graduate School  
of Business – Interface Engineering Inc.  
Area Interior Design, New York  
Adair Design Group, San Francisco  
Stuart Bell, Palm Beach  
Sophie Harvey Design ASID, Aspen  
Zenoriginals Design Los Angeles  
Baskervill, Richmond VA  
Leili Design Studio, Cape Coral FL  
Dezzign Central, Pittsburgh  
Reddy Made Design, New York  
Karen Moore Toronto, Canada  
Adam Design Ltd. London, UK

## As featured in:

AD, Architectural Digest  
Art & Decoration  
Elle Decoration Russia  
Marie Claire Maison  
Residences Decoration  
IDEAT  
Architecture à Vivre  
AD Choice, Germany  
BAD Design, Germany  
Inwohnen, Germany  
Gulfshore Life, USA  
Maison à Vivre  
DOMODECO  
Tendances Magazine  
Le MONDE  
Chaud Froid Performance  
Sala Baño, Spain  
Bordeaux Madame Maison  
Les Plus Beaux Intérieurs  
Maison Coté Sud  
Maison Montréal, Canada  
Réponses BAIN  
Design Home Magazine  
ARCA International  
Architecture Intérieure CREE



Manufactured in France at Sète, since 1975.



ATELIER **Cinier**, Technical Department:

Tel: +33 (0)4 67 18 19 53, Fax: +33 (0)4 67 18 19 53,

Email: [info@cinier.com](mailto:info@cinier.com). Director: Michel Cinier

Address: Parc Aquatechnique, 2 Rue de Londres, 34200 SETE, France

[www.cinier.com](http://www.cinier.com)

